



**SWAGTRON™**  
**SWAGCYCLE™**  
FOLDING ELECTRIC SCOOTER

30512-002

USER MANUAL



Thank you for your purchase of the SwagCycle™ Folding Electric Scooter by SWAGTRON®!

We are the original and official SwagCycle™. There are many generic and copycat brands out there, but don't be fooled. If you want real swag, you're in the right place.

To ensure your safety and the safety of others, please read and be sure to follow all instructions and safety recommendations in this User Manual prior to and when riding your SwagCycle™.

If you have any questions regarding the SwagCycle™, contact us at 1-844-299-0625 for further assistance.

Happy Riding!

-The SWAGTRON® Team

## Table Of Contents

<b>PRODUCT SAFETY NOTICE .....</b>	<b>1</b>
<b>Section 1. General Information.....</b>	<b>3</b>
<b>1.1 About the SwagCycle™ .....</b>	<b>3</b>
<b>1.2 What's In The Box? .....</b>	<b>4</b>
<b>1.3 SwagCycle™ Diagram .....</b>	<b>4</b>
<b>Section 2. Assembling &amp; Folding your SwagCycle™ .....</b>	<b>5</b>
<b>Section 3. Charging Your SwagCycle™ .....</b>	<b>7</b>
<b>Section 4. How To Ride .....</b>	<b>9</b>
<b>Section 5. Safe Riding Techniques &amp; Tips .....</b>	<b>10</b>
<b>5.1 Disposal at End-of-Life .....</b>	<b>11</b>
<b>Section 6. Maintenance .....</b>	<b>11</b>
<b>6.1 Cleaning.....</b>	<b>12</b>
<b>6.2 Storage .....</b>	<b>12</b>
<b>6.3 Transportation.....</b>	<b>12</b>
<b>Section 7. SwagCycle™ Specifications.....</b>	<b>13</b>
<b>1 Year Limited Hardware Warranty .....</b>	<b>14</b>

## PRODUCT SAFETY NOTICE

The SwagCycle™ has been designed with the utmost safety in mind for its riders. Extra precautions have been taken to protect the user from product hardware malfunctions through our meticulous design and engineering.

However, like any mode of transportation, the SwagCycle™ has inherent hazards associated with its use (e.g.: losing control, falling off, or riding into a hazardous situation). Please read and be sure to follow all instructions and safety recommendations in this user manual prior to and when riding your SwagCycle™.

Before each ride, especially if you may travel a long distance, inspect your Swagcycle™. First, check the tires for proper inflation and cracks on the walls of the tires. Keeping the tires properly inflated and maintained will help prevent flats and damage. Second, check all cables and cable housings for fraying, breaks, rust, or corrosion and replace if necessary. Lastly, inspect the brakes to make sure that both are working properly. Additionally, check the brake pads for any damage as they will wear over time and eventually need replacement. If a replacement of the brake pads or any other part is needed, please contact customer support for replacement service. In general, it is recommended to make sure all nuts and bolts are taut and properly fastened to prevent injury and unnecessary wear and tear on your SwagCycle™.

Maximum Weight	264 lbs / 120kg
Maximum Speed	10 MPH / 16 km/h
Max Incline	12°

This device requires coordination, agility, and balance. Use your best judgement to determine if an individual can use the SwagCycle™ safely.

SAFETY GEAR, CLOTHING AND FOOTWEAR	<p>Please wear appropriate clothing and safety gear including shoes, kneepads, elbow pads and an ASTM F1492 approved helmet.</p> <p>Avoid wearing anything that can drape over or get caught into/under the wheels. Wear closed-toe, flat shoes to maintain flexibility and stability.</p>
MODIFICATIONS AND REPAIRS	<p>The SwagCycle™ is a highly sophisticated electronics product that includes complex, technical circuitry. Attempting to repair or modify your SwagCycle™ can void all warranties. Only authorized repair centers may open and service the SwagCycle™.</p>
OBEY LOCAL LAWS AND REGULATIONS	<p>Always check and adhere to local laws regarding personal transportation devices, including pedestrian laws.</p> <p>The SwagCycle™ is considered a motor vehicle, so should not be ridden after consumption of alcohol, drugs, or while intoxicated. You can be arrested for drunk driving.</p>

**By riding the SwagCycle™, the user acknowledges and accepts personal responsibility of all risks associated with the use of the SwagCycle™ Folding Electric Scooter, which may include, but are not limited to, muscle injuries, broken bones, lacerations, or serious injury which may be sustained while using the SwagCycle™.**

## Section 1. General Information

This user manual will guide you through the functions and usage of your SwagCycle™. Before operating this device, read all the instructions for safe assembly, charging, and usage.

Please inspect the SwagCycle™ unit upon unpacking for any signs of physical damage or defects.

Ensure that the SwagCycle™ unit is fully charged before using.

If you have questions, contact SWAGTRON® before you attempt to use or return your SwagCycle™.

### 1.1 About the SwagCycle™

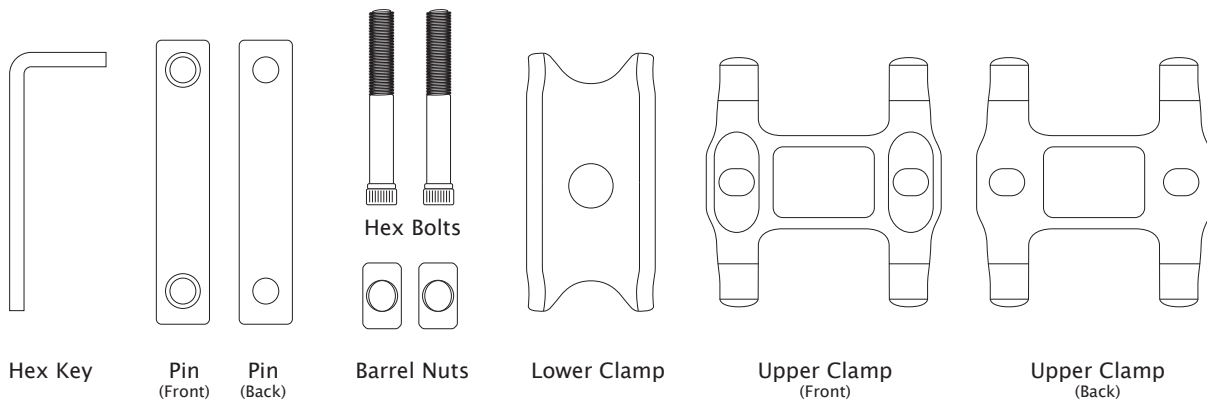
The SwagCycle™ Folding Electric Scooter by SWAGTRON® is a compact, zero emissions personal transportation device that feels like a scooter but rides like a motorcycle. It is environmentally friendly and uses only the highest quality components and industry-leading safety features.

- Riding speeds up to 10mph – No pedaling!
- Rechargeable, portable, reliable
- Eco-friendly and all-electric with zero emissions
- Includes USB port for charging mobile devices



## 1.2 What's In The Box?

- SwagCycle™ Folding Electric Scooter
- 1x Charging Adapter
- 1x User Manual
- 2x Foot Pegs
- 1x Seat
- 1x Assembly Packet

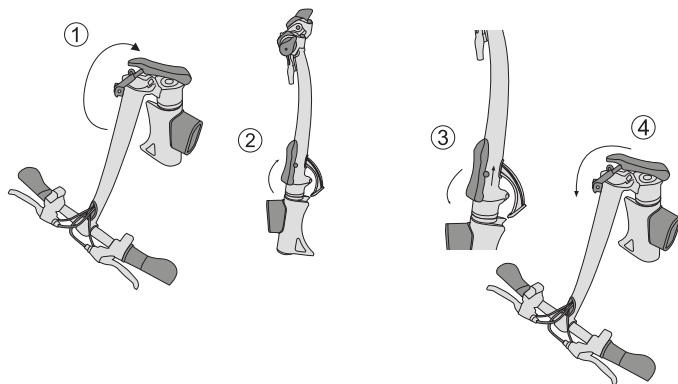




### 1.3 SwagCycle™ Diagram



## Section 2. Assembling & Folding your SwagCycle™



**NOTE:** Be careful not to position your fingers between the latch and the stem. Doing so may result in injury.

### **TO UNFOLD (fig. 1 & 2):**

**Step 1.** Pull the handlebar stem upright.

**Step 2.** Fold the latch up to close it. It will snap into place.

### **TO FOLD (fig. 3 & 4):**

**Step 1.** Locate the silver bolt in the side of the latch and pull it up.

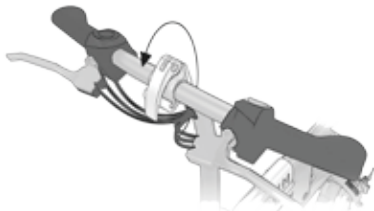
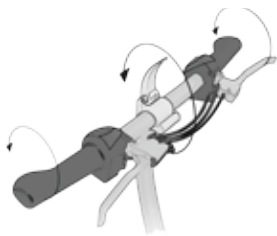
**Step 2.** While holding the bolt up, use your other hand to unfold the latch by pulling it down away from the stem. There is a notch on the other side of the latch to make this easier.

**Step 3.** With the latch undone, fold the stem down.



#### **TO ATTACH THE FOOT PEGS:**

- With the kickstand holding your SwagCycle™ upright, screw the Foot Pegs onto the front wheel and ensure they are securely tightened.



#### **TO ADJUST THE HANDLEBARS:**

- Unfold the latch to rotate and adjust the direction of the handlebars to a comfortable position.
- Secure the handlebars by flipping the latch closed.

## TO INSTALL THE SEAT:

**NOTE:** A level or level app will be needed as well as the Assembly Packet

**Step 1.** Insert the Pin into the bike seat stem and add the Hex Bolts. Make sure the Hex Bolts are inserted into the side of the Pin with the indentation. (fig. 1)

**Step 2.** Thread the Upper Clamp onto the Hex Bolts making sure the side with the indentions faces out. (fig. 2)

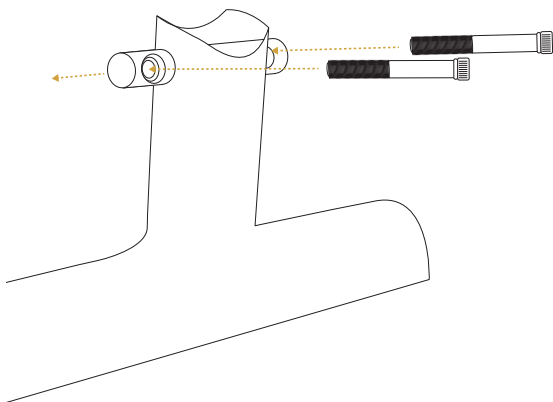


fig. 1

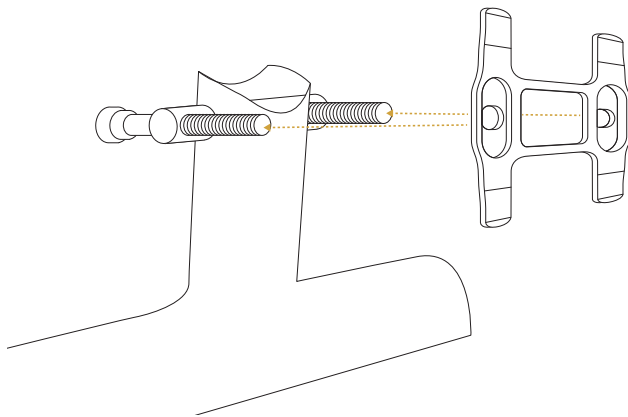


fig. 2

**Step 3.** Thread the Barrel Nuts onto the ends of the Hex Bolts. (fig. 3)

**Step 4.** Center the Lower Clamp onto the bike seat stem making sure the side with indentation faces up. (fig. 4)

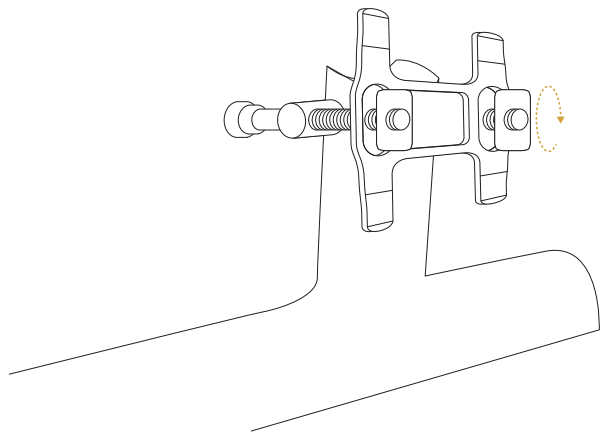


fig. 3

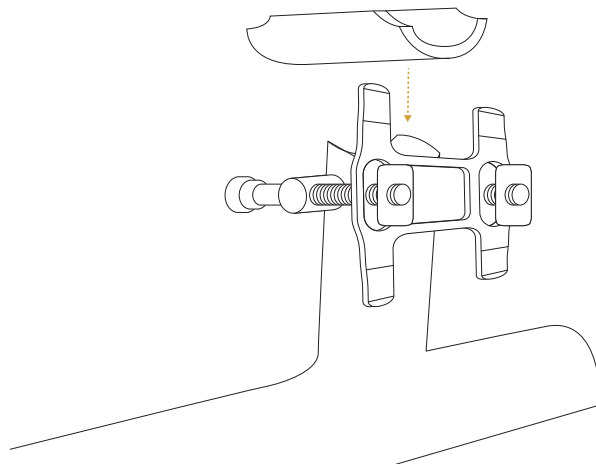


fig. 4

**Step 5.** Insert the Upper Clamp into the bottom of the seat one side at a time. (fig. 5)

**Step 6.** Position the seat onto the bike seat stem.

**Step 7.** While holding the Barrel Nut in place, manually tighten the Hex Bolts. Repeat with the other Barrel Nut.

**Step 8.** Use the Hex Key to tighten the Hex Bolts in place. Make sure the seat is positioned so that the front end points towards the stem and the seat surface is level. (fig. 6)

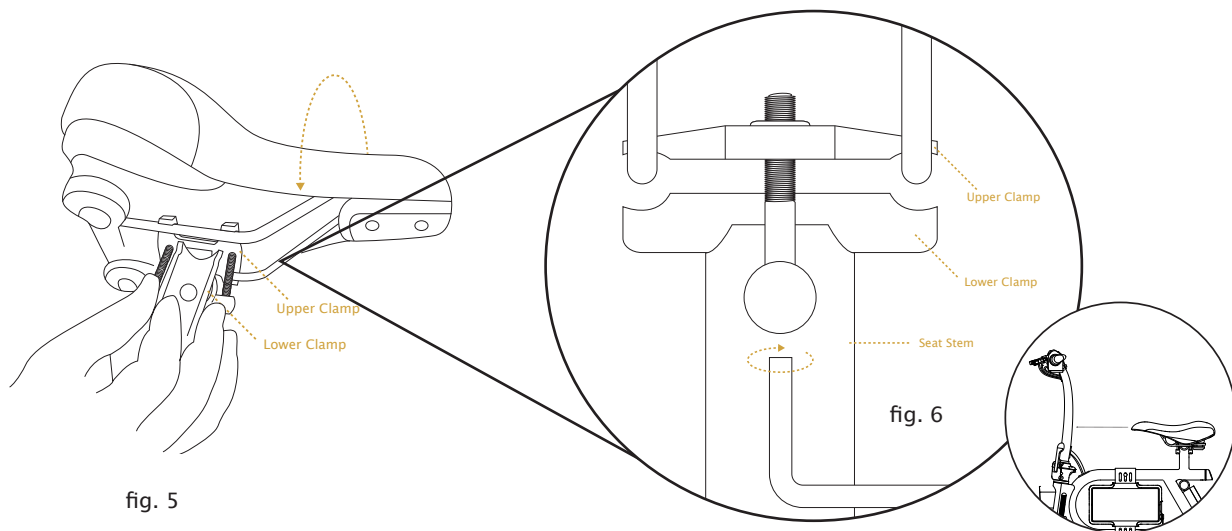
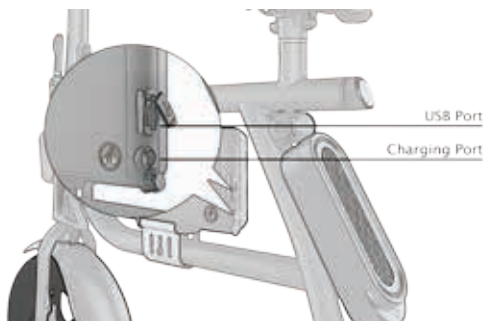


fig. 5

fig. 6

### Section 3. Charging Your SwagCycle™



**Step 1.** Locate the charging port as shown in the image.

**Step 2.** Connect the charging adapter to the port.

**Step 3.** An indicator will light up based on the battery status:

- **Red:** Charging
- **Green:** Fully Charged

**Step 4.** Allow at least 5 hours when charging for the first time. After this initial charge, average charging time is 2.5–4 hours.

**Step 5.** Once fully charged, cover the charging port with its cap to prevent water or debris from entering.

The SwagCycle™ battery also includes one USB port, as shown in the image, to charge your mobile devices while on-the-go. Please keep in mind this will use extra battery power so plan your ride accordingly!

#### **Safety tips for charging your battery:**

- Fully charge the battery before your first use, this may take up to 5 hours
- To maximize the life of the battery, you must charge it after each cycling session.
- When not in active use, please charge at least once a month to maintain optimal battery levels
- Perform periodic visual inspection of the battery ports and charger cables

**NOTE:**

- When the battery is fully charged, please STOP CHARGING and unplug the unit
- Keep your charging environment clean and dry at all times.
- If the charging port is damp or has any liquid on it, do not charge your SwagCycle™
- In order for the battery to operate at maximum efficiency, avoid charging your SwagCycle™ in extremely hot or extremely cold environments
- Use only the battery and charging adapter provided to you by SWAGTRON®, use of third party products may compromise the battery and damage the scooter, If a replacement is needed, please contact SWAGTRON® directly.

**DO NOT charge the battery in the following cases:**

- There is excessive odor or heat
- Leakage or physical damage



## Section 4. How To Ride

Get ready to ride with swag! The instructions below will ensure you have a comfortable and safe riding experience. Please read carefully.



- Start your SwagCycle™ by pressing the Power Switch
- Moving forward on your SwagCycle™ is as easy as twisting the Throttle
- To slow down, gradually apply pressure to the Back Brake to slow down the rear motorized wheel
- To stop, gradually apply pressure to the Front Brake to stop the front wheel
- Use the Headlight Switch to turn it on when riding at night
- Use the Horn to alert pedestrians and other riders of your presence
- The Battery Indicator shows how much charge is left in the battery, make sure the battery is at full power before heading out on a long distance ride

## Section 5. Safe Riding Techniques & Tips

Following these techniques and tips can ensure you have a safe, fun riding experience on the SwagCycle™

- Check to make sure your brakes are fully intact, Foot Pegs are securely installed, and handlebars are locked in place
- Always wear an ASTM F1492 approved helmet and protective gear to avoid possible injury
- Make sure your feet are always on the Foot Pegs. Taking your feet off the SwagCycle™ while riding is dangerous
- Ensure the battery is fully charged accordingly for the distance you plan to go
- Ensure your tires are intact with no punctures
- Ensure the vehicle speed is safe to yourself and others, and be ready to stop at any time
- When riding with friends, keep a safe distance between your devices to avoid collisions
- Be aware of your surroundings at all times to ensure a safe ride. Your eyes are your best tools for safely avoiding obstacles and slippery surfaces
- Stay in open spaces and flat areas, avoid steep slopes or high traffic areas until you're familiar with riding
- The SwagCycle™ can only support the weight of one person at a time
- Remember, only ride the SwagCycle™ where it is permitted, you MUST comply with local laws and give way to pedestrians

### **WARNING:**

- Never ride at high speeds on uneven terrain or slopes
- Never perform stunts or turn abruptly without checking your surroundings
- Never carry passengers on the SwagCycle™ with you
- Never carry heavy items while riding
- Never ride in the rain
- Never use the SwagCycle™ to do anything that may cause personal injury or property damage
- Never get off the SwagCycle™ when it is in motion

**FAILURE TO USE COMMON SENSE AND HEED THE ABOVE WARNINGS INCREASES THE RISK OF SERIOUS INJURY, OR IN VERY RARE CASES, DEATH. USE WITH APPROPRIATE CAUTION AND SERIOUS ATTENTION TO SAFE OPERATION.**

For more safe riding tips or information, visit <http://www.swagtron.com>.

## **5.1 Disposal at End-of-Life**

This product must not be disposed of by incineration, landfilling, or mixing with household trash. Improper disposal of the battery contained within this product may result in the battery heating up, rupturing, or igniting which may cause serious injury. The substances contained inside the battery present chemical risks to the environment. The recommended disposal for any SWAGTRON® product at its end-of-life is to dispose of the entire unit at or through an e-waste recycling center, program, or facility. Local regulations and laws pertaining to the recycling and disposal of lithium ion batteries and/or products containing them will vary according to country, state, and local governments. You must check laws and regulations corresponding to where you live in order to properly dispose of the battery and/or unit. It is the user's responsibility to dispose of their waste equipment properly with accordance with local regulations and laws.

For additional information about where you should drop off your batteries and electrical or electronic waste, please contact your local or regional waste-management office, your household waste disposal service, or your point-of-sale.

## **Section 6. Maintenance**

Your SwagCycle™ needs to be maintained. Follow the tips and reminders below to keep your SwagCycle™ running at top performance.

### **NOTE:**

- Do not perform any kind of maintenance while the SwagCycle™ is charging
- Attempting to repair or modify your SwagCycle™ can void all warranties, only authorized repair centers may open and service the SwagCycle™

If you need assistance, please contact SWAGTRON® support at [support@swagtron.com](mailto:support@swagtron.com)

## 6.1 Cleaning

Proper cleaning of your SwagCycle™ can guarantee a longer lifespan and a smooth riding experience.

- Wipe the outer body of your SwagCycle™ with a soft, dry microfiber cloth
- Check around the wheels and ensure there is no blockage, the SwagCycle™'s design allows for easy wheel maintenance
- The SwagCycle™ meets IP54 water-resistance, meaning it can withstand splashes, however, do not submerge the SwagCycle™ in water
- Do not let water and liquids get into the SwagCycle™'s electric parts or battery

## 6.2 Storage

Below are some tips to consider when storing your SwagCycle™ unit

- Before storing, fully charge the SwagCycle™ to prevent battery over-discharge due to non-use
- If storing the SwagCycle™ for more than one month, discharge and recharge the battery at least once a month
- Cover the SwagCycle™ to keep dust out. Do not store in a dusty environment as this may cause damage over time


## 6.3 Transportation

The SwagCycle™ for quick and easy transportation. Before moving, lifting, or otherwise transporting the device, turn it off. Fold the SwagCycle™ and grasp it firmly before lifting and/or moving it. Note, the device weighs approximately 29 lbs. If you are unsure of your ability to lift this much weight with one hand or arm, doing so is not recommended. Please lift the device with both arms or otherwise gain the assistance of someone who may handle the weight without trouble.

Lithium-ion batteries are considered hazardous materials, therefore transportation is governed by federal, state, and local laws.

International law prohibits the shipping of bare lithium-ion batteries, If you are shipping your SwagCycle™, you must ship it with the battery installed.

## Section 7. SwagCycle™ Specifications

Item	Parameters
Net Weight	29 lbs / 13 kg
Dimensions	35.5 x 18.9 x 37.2 in. / 900 x 480 x 945 mm.
Max Incline	12°
Maximum Load	264 lbs / 120 kg
Battery	36V 4.4 Ah
Charging Voltage	110V – 220V / 50 – 60Hz
Pin Polarity	
Charging Time	2.5 – 4 Hours
Wheel Size	Front Wheel: 12 in. / Rear Wheel: 10 in.
Wheel PSI	Front Wheel: 43 PSI/3.0 BAR   Back Wheel: 36 PSI/2.5 BAR
Water Resistance	IP54
Warranty	1 Year Limited

## 1 Year Limited Hardware Warranty

Your SWAGTRON® SwagCycle Folding Electric Scooter (“Product”) includes a One Year Limited Hardware Warranty (“Warranty”). The Warranty covers product defects in materials and workmanship under normal use. This Warranty is limited to residents of the United States and Canada only and is available only to original purchasers. This Warranty gives you specific legal rights and you may also have other rights which vary from state to state.

This Warranty starts on the date of your purchase and lasts for one year (the “Warranty Period”). The Warranty Period is not extended if the Product is repaired or replaced. We may change the availability of this limited warranty at our discretion, but any changes will not be retroactive.

Warranty services are provided by SWAGTRON®. If a hardware defect arises and a valid claim is received within the Warranty Period, at its option and to the extent permitted by law, SWAGTRON® will: (1) repair the hardware defect by using new or refurbished parts that are equivalent to new in performance and reliability; or (2) exchange the Product with a product that is new or refurbished which is substantially equivalent to the original product. This Warranty is for one replacement only of like-items and does not cover items out of production if the product is no longer made or stocked. This Warranty is not assignable or transferable. The original purchaser may call SWAGTRON’s toll-free number at 1-844-299-0625 for service request.

When a product or part is exchanged, any replacement item becomes your property and the replaced item becomes SWAGTRON®’s property. This warranty only covers technical hardware defectiveness during the warranty period and under normal use conditions. SWAGTRON® does not warrant uninterrupted or error-free operation of this Product.

This Warranty does not cover any damage due to: (a) transportation; (b) storage; (c) improper use; (d) failure to follow the product instructions or to perform any preventive maintenance; (e) modifications; (f) unauthorized repair; (g) normal wear and tear; or (h) external causes such as accidents, abuse, or other actions or events beyond our reasonable control.

Important: Do not disassemble the Product. Disassembling the Product will void this Warranty. Only SWAGTRON® or a party expressly authorized by SWAGTRON® should perform service on this Product.

DISCLAIMER OF WARRANTY: THE REMEDIES DESCRIBED ABOVE ARE YOUR SOLE AND EXCLUSIVE REMEDIES AND OUR ENTIRE LIABILITY FOR ANY BREACH OF THIS LIMITED WARRANTY. OUR LIABILITY SHALL UNDER NO CIRCUMSTANCES EXCEED THE ACTUAL AMOUNT PAID BY YOU FOR THE DEFECTIVE PRODUCT, NOR SHALL WE UNDER ANY CIRCUMSTANCES BE LIABLE FOR ANY CONSEQUENTIAL, INCIDENTAL, SPECIAL OR PUNITIVE DAMAGES OR LOSSES, WHETHER DIRECT OR INDIRECT.

SOME STATES DO NOT ALLOW THE EXCLUSION OR LIMITATION OF INCIDENTAL OR CONSEQUENTIAL DAMAGES, SO THE ABOVE LIMITATION OR EXCLUSION MAY NOT APPLY TO YOU.

THE DURATION AND REMEDIES OF ALL IMPLIED WARRANTIES, INCLUDING WITHOUT LIMITATION THE WARRANTIES OF MERCHANTABILITY AND FITNESS FOR A PARTICULAR PURPOSE ARE LIMITED TO THE DURATION OF THIS EXPRESS LIMITED WARRANTY.

**SWAGCYCLE**  
*by* **SWAGTRON**

COPYRIGHT © 2017 SWAGTRON. ALL RIGHTS RESERVED.